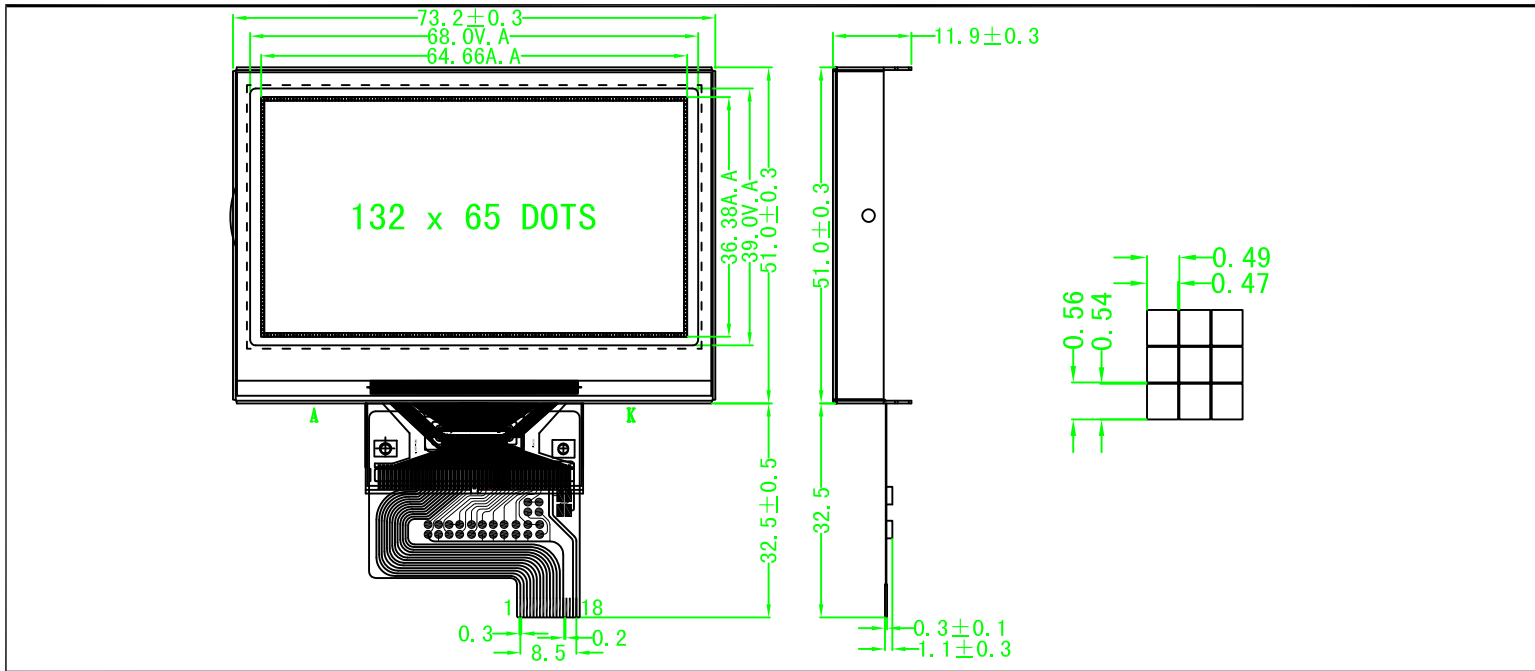
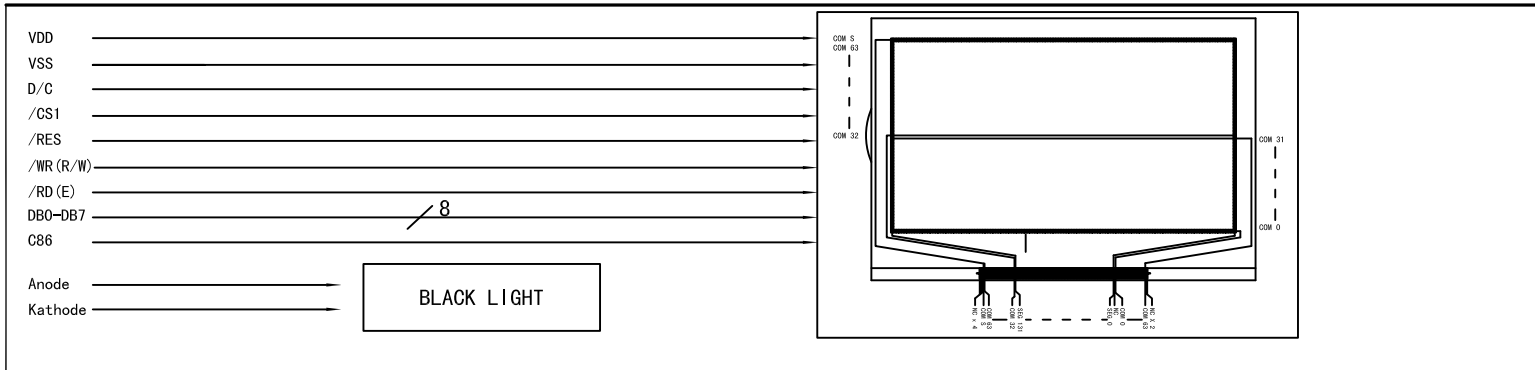




1.0 DIMENSIONAL DRAWING



2.0 BLOCK DIAGRAM & POWER SUPPLY



3.0 MECHANICAL SPECIFICATIONS & FEATURE

Item	Nominal Dimensions (mm)	Feature	
		LCD Type	FSTN
Module Size (W*H*T)	73.2 × 51.0 × 11.9	LCD Colure	True Black-white
View Area (W*H)	68.0 × 39.0	View Angle	6 0'clock
Dot × Dot (W*H)	132 × 65	Display Type	Negative Type
Dot Pitch (W*H)	0.387 × 0.39	Rear Polarizer	Transmissive
Dot Size (W*H)	0.367 × 0.37	Operating Temperature	-25° C to +70° C
---	---	Storage Temperature	-30° C to +80° C
---	---	Backlight	LED (Blue)

4.0 ELECTRICAL CHARACTERISTICS

Item	Symbol	Test Condition	Min.	Typ.	Max.	Unit
Operating Voltage	Vdd	Ta=25° C	---	3.0	---	V
Operating Voltage For LCD	Vlcd	Ta=25° C	---	9.5	---	V
Supply Current	Idd	Ta=25° C, Vdd=3.0V	---	15	---	μA
Supply Current For Backlight	If	Ta=25° C, VAK=3.0V	---	15	---	mA

5.0 INTERFACE PIN CONNECTIONS

Pin No.	Symbol	Level	Description
1	/CS1	L	LCM Selection Signal Input Terminal
2	/RES	H→L, H	LCM Reset Signal Input Terminal
3	D/C	H/L	LCM Data/command Signal Input Terminal
4	/WR (R/W)	L (H/L)	LCM Write@Intel8080 (Read/write@M6800) Signal Input Terminal
5	/RD (E)	L (H, L, F)	LCM Read@Intel8080 (Enable@M6800) Input Terminal
6-13	DB0-DB7	H/L	LCM Data Input Terminal
14	VSS	0V	LCM Power Supply Negative Input Terminal
15-16	NC		NOT Connected
17	VDD	3.0V	LCM Power Supply Positive Input Terminal
18	C86	H/L	LCM Timing selection Terminal
	K	0V	LED Backlight Power Supply negative Input Terminal
	A	3.0V	LED Backlight Power Supply Positive Input Terminal

NOTE: NO